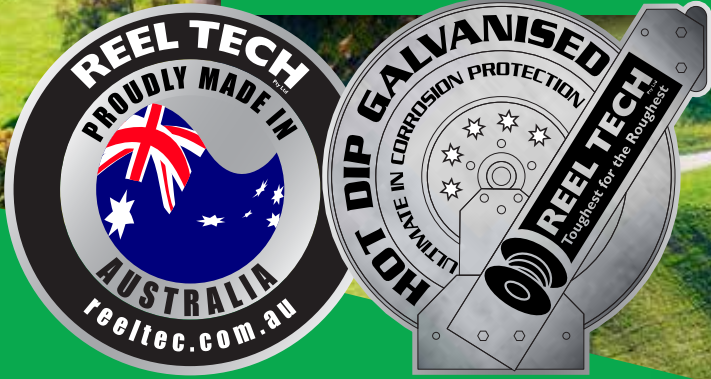


# REELTUFF™

## WEED SPRAY HOSE MANAGEMENT REMOTE CONTROL HOSE REELS

Patented design. Manufactured in Australia by Reel Tech™



**HOT DIP GALVANISED HOSE REELS FOR ULTIMATE CORROSION PROTECTION. ERGONOMIC DESIGN AND SUPERIOR SAFETY FEATURES. VIRTUALLY MAINTENANCE FREE. ENGINEERED FOR LONG LIFE TURF AND ROADSIDE CARE**

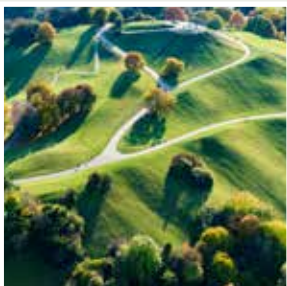


If you are looking for the longevity and reliability in your weed spraying hose storage, look no further than REELTUFF™ Remote Control Reels. Highest quality galvanised construction will continue to work alongside with you in all weather conditions. Ideal for use in both low and high pressure spraying duties on Golf Courses, Parks and Gardens, Local Government and Roadside Care.

With ergonomic and safety features like Reel-In-Control™ Remote and Safe-R-Reel™ maintenance free Non-Belt/Chain Direct Drive System as standard, the REELTUFF™ reels are designed for both professionals and owner operators alike.

- Hot Dip Galvanised Finish
- 12V (DC) Powered Reel
- Quick Change Hub System
- Reel-In-Control™ Long Range Remote Control
- 100m & 50m Reel Models (custom lengths available)
- Heavy Duty Construction
- Easy Mount Compact Modular Design (fully upgradable)
- Patented Maintenance Free Non-Belt/ Chain Safe-R-Reel™ Direct Drive System

Note: Spray Gun & Hose Sold Separately. (Available as complete package.)



✓ Golf Course



✓ Parks & Gardens



✓ Local Govt.



✓ Roadside

[reeltec.com.au](http://reeltec.com.au) | [reeltec.co.nz](http://reeltec.co.nz)



AUSTRALIA  
sales@reeltech.com.au  
1800 REELIN

NEW ZEALAND  
sales@reeltech.co.nz  
0800 669 953



## ABOUT REELTUFF™ PRODUCT

The REELTUFF™ reel is a world-patented, all Australian designed and manufactured direct drive hose reel. Featuring unmatched flexibility in size and capacity, adaptable Reel-In-Control™ remote and a unique Non-Belt/ Chain Safe-R-Reel™ gearbox that ensures a controlled speed during rewind. It offers superior craftsmanship and quality galvanised construction for ultimate corrosion protection, proven to withstand some of the harshest environments in Australia.

REELTUFF™ Hose Reels can be easily installed to many vehicles with 12V power supply including Utes, ATV's, Golf Buggies, etc., and can be customised to suit your specific needs. Use as a single unit or in a mirrored configuration for dual independent hose reel setup allowing multiple operators to cover large areas in half the time. Use REELTUFF™ Hose Reels with your spray equipment to enjoy the outstanding safety features, and achieve more spraying in less time and effort than conventional methods using manual reels. Benefit from the Reel-In-Control™ automatic hose rewind at a single press of a button, and the motor drive capable of safely retrieving the hose even at full extension.



### CONSTRUCTION

- **Hot Dipped Galvanised Discs & Frame** is superior to paint or powder coat finishes providing ultimate resistance to corrosion and scratches.
- **Quick Change Stainless Steel Swivel & Riser ASM** offers corrosion resistant fluid path suitable for use with many aggressive chemicals.
- **Electric Safe-R-Reel™ Non-Belt/Chain Direct Drive System** offers more reliable and safer working conditions. This patented gearbox eliminates the use of chains, belts and sprockets that require regular maintenance.
- **Heavy Duty Thick Gauge Steel Construction** for stability and strength.
- **Cantilevered Spool Hub** direct coupled to self-contained gearbox offers easy spool removal and is effectively maintenance free.

### MOTOR

12V (DC) High Torque electric motor direct coupled to patented gearbox.

### CONTROLS

**Remote Control:** Single channel remote control (915 MHz for Australia & 921 MHz for New Zealand) with Adaptive Frequency Hopping prevents interference and offers reliable performance across undulating terrain. Rubber sheathed for extra protection. Supplied fitted with 9V battery.

**Reel Mounted Controls:** On/Off power switch and manual override momentary push-button for hose retraction.

**Brake System:** Spring loaded Pin-Lock with ratchet mechanism keeps hose safely on the reel and prevents hose or spray gun damage during transport.

### HOSE CONNECTIONS

- Stainless Steel fluid path with high pressure swivel
- Inlet/Outlet: 1/2" NPT Female connections
- Hose Capacity: Either 50m or 100m of 1/2" (12.7mm) O.D. Hose

### WARRANTY

12 Months

# REELTUFF™

## WEED SPRAY HOSE MANAGEMENT REMOTE CONTROL HOSE REELS

Patented design. Manufactured in Australia by Reel Tech™

### PRODUCT SPECIFICATIONS

#### REELTUFF™ 12V HEAVY DUTY REMOTE CONTROL HOSE REEL

Product	Part Number	Width/mm	Height/mm*	Depth/mm	Weight/kg
100m Reel	147-ERT15-220-650TGS3K-12V-SSI	445	695	680	55
50m Reel	447-ERT15-220-475TGS3K-12V-SSI	445	545	565	45

\* Dimension indicated does not include aerial height.

#### PRODUCT FEATURES

##### Hot Dip Galvanised

Hot Dip Galvanised Discs & Frame as standard feature.

##### Stainless Steel Fluid Path

High Pressure Full Flow Swivel at no extra cost.

##### Reel-In-Control™

Wireless Long Range Remote Control comes standard.

- 915 MHz for AU
- 921 MHz for NZ

##### Safe-R-Reel™ Direct Drive System

Reel Tech's patented 'Non-Belt/Chain' Safe-R-Reel™ gearbox as standard feature.

##### Pin-Lock

Comes standard to eliminate accidental unspooling of hose.

##### 50m or 100m Reels

Optional 1/2" (12.7mm) O.D. and other width capacity are available upon request. Hose and Spray Gun sold separately.

##### Full Disc Call-out Colour Decals

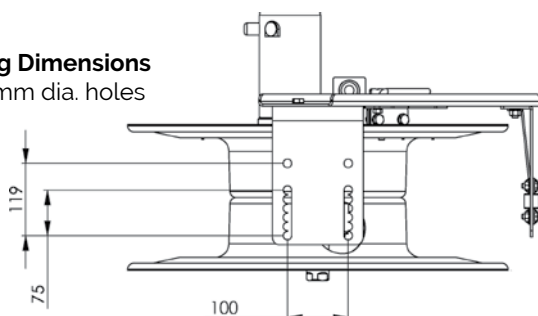
Customisable decals available upon request

##### Easy Mount Compact Modular Reel Design

Fully customisable reel system. Choose from many optional features and accessories.

#### Mounting Dimensions

Note: 13mm dia. holes



#### BENEFITS

Offers superior corrosion and weather protection with ultimate scratch resistance over painted or powder coated reels.

Ensures minimum pressure drop across the reel. Can be used with most chemicals, including herbicides, fungicides, pesticides, etc.

Featuring frequency hopping technology which offers powerful and reliable connection. Provides interference or jamming immunity in various undulating terrains. Allows for up to 8 transmitters to be used in the same area.

Ensures a controlled speed during rewind. The Non-Belt/Chain design is reliable and safe to operate with no maintenance required.

Positive locking of spool, ensures safe hose & spray gun storage on reel while not in use.

Ideal for roadside spraying and/or lawn maintenance of any size including parks, golf courses and urban landscapes.

Decals can be colour coded or designed to your exact specifications.

Reels can be tailored specifically for the application to suit either new or after-market installations. Available options include:

- Lightweight Aluminium construction
- Various drive options including 24V (DC) Electric, Air or Hydraulic Rewind
- Auxiliary Manual Crank Rewind
- EZI-DEPLOY™ - Auto De-clutching System
- FlatWinder™ - Automatic Hose Layering System
- Various Brake Systems and much more.

# REELTUFF™

**WEED SPRAY HOSE MANAGEMENT**  
**REMOTE CONTROL HOSE REELS**

Patented design. Manufactured in Australia by Reel Tech™



✓ Golf Course



✓ Parks & Gardens



✓ Local Govt.



✓ Roadside

**REELTUFF™ is a trademark of Reel Tech Pty Ltd**

## AUSTRALIA

1-8/27 Shearson Crescent  
Mentone, VIC 3194 Australia  
Phone: +61 (03) 9583 2368  
Free Call: 1800 REELIN  
Fax: +61 (03) 9585 0218  
Email [sales@reeltech.com.au](mailto:sales@reeltech.com.au)  
[reeltec.com.au](http://reeltec.com.au)

## NEW ZEALAND

532C Grey Street  
Hamilton East 3216  
Phone: +64 (07) 839 6444  
Free Call: 0800 669 953  
Fax: +64 (07) 839 6445  
Email: [sales@reeltech.co.nz](mailto:sales@reeltech.co.nz)  
[reeltec.co.nz](http://reeltec.co.nz)

Ask us about other Reel Tech™ Hose Reels and Add-ons in our range

## OTHER SPECIALISED REELS

### FireDog™

Fire Fighting  
Reels with ergo-  
nomic and safety  
features



### PitBull™

Hose Reels  
for washdown,  
lubrication and  
refuelling.



## HOSE REEL ADD-ONS

### EZI-DEPLOY™

Automatic Declutching System



### Follow Me Hose Guide

Swivelling Hose Guide



### FlatWinder™

Automatic Hose Layering System



[reeltec.com.au](http://reeltec.com.au) | [reeltec.co.nz](http://reeltec.co.nz)

